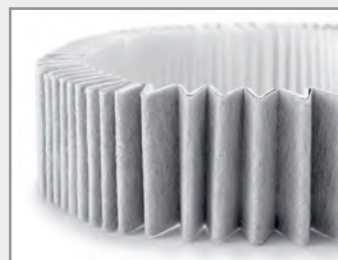




Medical

i3 ONE sterile filter



INTENDED USE & FIELDS OF APPLICATION

The i3 ONE point-of-use sterile filter is used in medical settings to prevent infections caused by bacteria such as *Legionella pneumophila*, *Pseudomonas aeruginosa* and mycobacteria. It is used on the water faucet for the sterile filtration of tap water. The water filter protects patients receiving medical treatment, for example in oncological, transplant and intensive care wards, and also neonates, from infections caused by waterborne pathogens.

FEATURES

CE-marked Class I
medical device

Bacterial retention
as per ASTM F838

Sterile filtration with a nominal
pore size of 0.2 μm (microfiltration)

Duration of use: 50 days
(7 weeks)

High, stable flow rate
throughout the period of use

Protection due to the bacteriostatic
properties of the filter housing in accordance with
ISO 22196

Proven biocompatibility
to protect the user

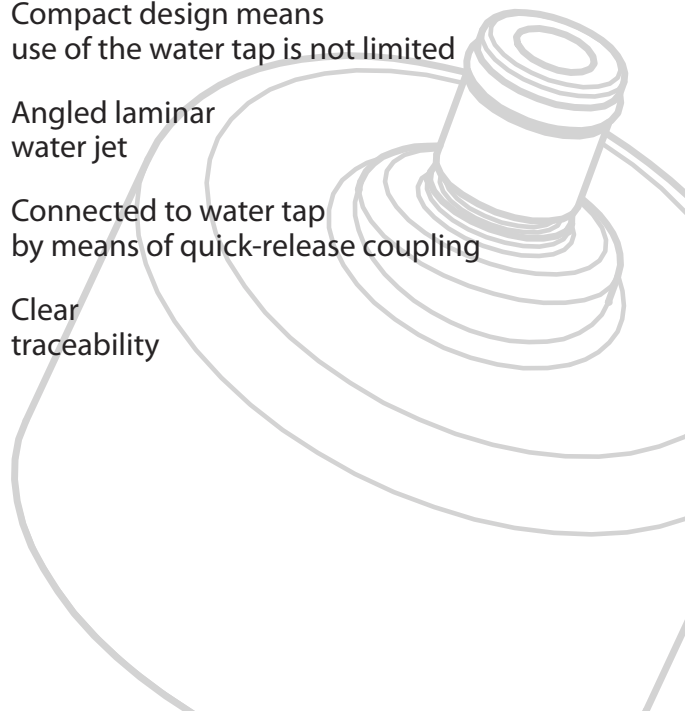
Filter surface can be disinfected
by wiping

Compact design means
use of the water tap is not limited

Angled laminar
water jet

Connected to water tap
by means of quick-release coupling

Clear
traceability





Medical

TECHNICAL SPECIFICATIONS



APPLICATIONS

Water tap



FLOW RATE

12 l/min at 5 bar



RETROGRADE PROTECTION

> 4 log *Pseudomonas aeruginosa*,
Escherichia coli, *Staphylococcus aureus*
in 24 hr.



DISINFECTION

Can be disinfected by wiping with
normal surface disinfectant



DURATION OF USE

50 days (7 weeks)



SHELF LIFE

5 years



MATERIAL AUTHORIZATION

Product is biocompatible
as per ISO 10993-1



ATTACHMENT

Quick-release coupling is
required for installation



AUTHORIZED FOR USE WITH DRINKING WATER

Plastics suitable for use with drinking
water as per BS 6920



BACTERIAL RETENTION

> 7 log (*Brevundimonas diminuta*) per cm²
of filter area



OPERATING TEMPERATURE

60 °C
(max 70 °C for 30 min)



OPERATING PRESSURE

max 5 bar



MEMBRANE

i3 high performance flat membrane



CHLORINE RESISTANCE

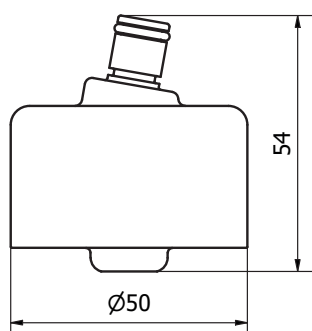
≤ 200 ppm active chlorine for 1 hour
≤ 10 ppm active chlorine for 50 days



LABELLING

Serial number / DataMatrix Code
for documentation of filter changes

DIMENSIONS (mm)



ORDER INFORMATION & ACCESSORIES



i3 ONE Sterile filter, water tap
203100 (Item no.)



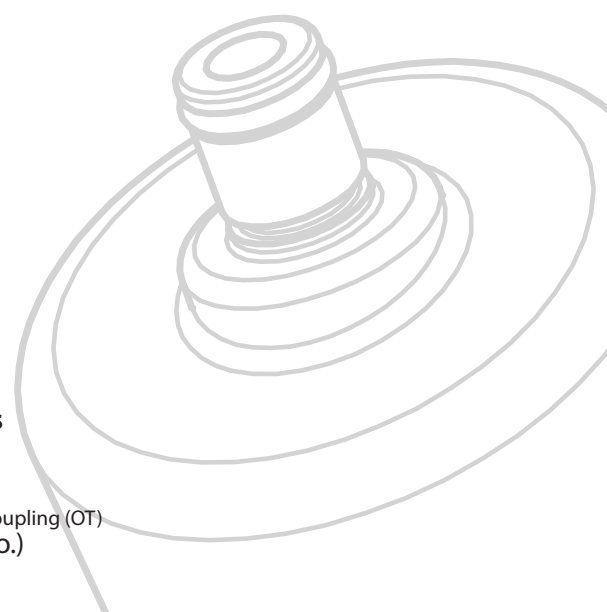
M22 quick-release coupling (IT)
2060000 (Item no.)



Packaging units
2 pcs / 12 pcs



M24 quick-release coupling (OT)
2060001 (Item no.)



Certification of quality
management system as per
DIN EN ISO 13485:2016

